

# BELT DRIVE SINGLE DUCT BLOWERS



## MODEL BCFD

### FEATURES

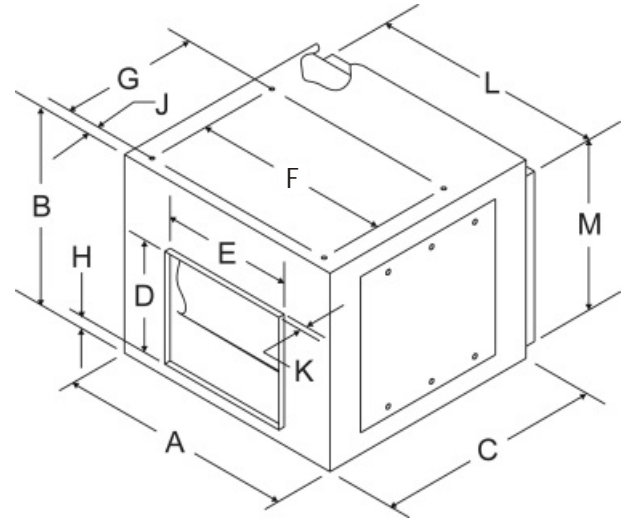
- Efficient Indoor Use With Heating, Cooling and Ventilating Systems
- Quiet and Economical
- Operates at Low RPM
- Standard Baked Enamel Finish
- Access Panels Allow Easy Installation and Servicing
- Shaft Keywayed on Both Ends
- Non-Insulated Standard



### PERFORMANCE / PRICING

Wheel Dia.	Catalog Number	Motor HP	RPM	Max BHP	1/8" S.P. CFM	1/4" S.P. CFM	3/8" S.P. CFM	1/2" S.P. CFM	5/8" S.P. CFM	3/4" S.P. CFM	1" S.P. CFM
7"	BCFD207CA	1/4	1095	0.24	1029	944	846	709	135		
	BCFD207DA	1/3	1250	0.36	1196	1124	1046	957	841	607	
	BCFD207FA	1/2	1385	0.50	1354	1291	1225	1153	1072	973	205
	BCFD207HA	3/4	1601	0.75	1566	1512	1456	1398	1335	1267	1099
9"	BCFD209CA	1/4	690	0.25	1389	1236	791				
	BCFD209DA	1/3	772	0.35	1581	1462	1280	275			
	BCFD209FA	1/2	880	0.52	1828	1734	1614	1436	506		
	BCFD209HA	3/4	1011	0.79	2124	2048	1958	1849	1702	1454	
10"	BCFD210CA	1/4	610	0.27	1697	1466	606				
	BCFD210DA	1/3	655	0.34	1847	1655	1291				
	BCFD210FA	1/2	755	0.52	2172	2028	1831	1481			
	BCFD210HA	3/4	856	0.76	2494	2377	2234	2044	1744	718	
	BCFD210JA	1	949	1.03	2788	2687	2570	2429	2249	1985	
	BCFD210KA	1-1/2	1080	1.52	3197	3112	3018	2911	2789	2642	2186
12"	BCFD212CA	1/4	481	0.25	1959	1330					
	BCFD212DA	1/3	529	0.33	2227	1765					
	BCFD212FA	1/2	608	0.50	2644	2329	1818	367			
	BCFD212HA	3/4	696	0.75	3088	2860	2523	2041	583		
	BCFD212JA	1	770	1.02	3453	3268	3014	2666	2202	773	
	BCFD212KA	1-1/2	880	1.52	3987	3842	3658	3423	3123	2754	732
15"	BCFD215DA	1/3	348	0.32	2756	764					
	BCFD215FA	1/2	402	0.50	3283	2822	505				
	BCFD215HA	3/4	461	0.75	3832	3570	2681	544			
	BCFD215JA	1	510	1.01	4277	4077	3720	1826	545		
	BCFD215KA	1-1/2	582	1.50	4923	4770	4558	4199	2781	905	
	BCFD215MA	2	641	2.01	5448	5318	5154	4929	4549	3248	644
	BCFD215OA	3*	737	3.05	6295	6191	6069	5921	5733	5469	3567
18"	BCFD218FA	1/2	301	0.52	3974						
	BCFD218HA	3/4	344	0.78	4777	3828					
	BCFD218JA	1	384	1.08	5488	4775	3264				
	BCFD218KA	1-1/2	430	1.52	6282	5704	4916	1500			
	BCFD218MA	2	478	2.09	7093	6602	6011	5174	1455		
	BCFD218OA	3*	546	3.11	8224	7813	7355	6815	6109	4811	
	BCFD218PA	5*	645	5.13	9845	9510	9153	8765	8333	7829	6267

\*3HP and 5HP models are shipped with motor and drives unmounted. Performance shown is for installation Type B - Free inlet, Ducted outlet, without filter section. Power rating (BHP) does not include drive losses. Performance ratings do not include the effects of appurtenances in the airstream.



Max Sones	Ship Wt. Blower / Complete Unit	Motor & Drive Mounted			Blower Only EDP#
		1 Phase ODP 115V EDP#	1 Phase ODP 115/230V EDP#	3 Phase ODP 208/230/460V EDP#	
14.3	46 / 69	98724			98723
15.7	46 / 71	98725			
19.8	46 / 78		98726	98727	
37	46 / 78		98728	98729	
11.1	58 / 81	98733			98730
11.2	58 / 83	98735			
11.3	58 / 90		98736	98737	
17.5	58 / 90		98738	98739	
9.1	69 / 92	98741			98740
12.2	69 / 94	98742			
12.8	69 / 101		98743	98744	
14.9	69 / 101		98745	98746	
14.9	69 / 112		98747	98748	
14.9	69 / 123		98749	98750	
6.4	89 / 112	98752			98751
9.3	89 / 114	98753			
10.4	89 / 121		98754	98755	
13.5	89 / 121		98756	98757	
14.6	89 / 132		98758	98759	
19.4	89 / 143		98760	98761	
9	175 / 202	98763			98762
12	175 / 214		98764	98765	
15.5	175 / 214		98766	98767	
15.6	175 / 230		98768	98769	
17.5	175 / 241		98770	98771	
17.9	175 / 252			98772	
17.9	175 / 285			98773	
11	205 / 275		98775	98776	98774
9.2	205 / 275		98777	98778	
10.6	205 / 286		98779	98780	
13.5	205 / 297		98781	98782	
15.6	205 / 308			98783	
20	205 / 341			98784	
20	205 / 329			98785	

### DIMENSIONS (Inches)

Wh. Dia.	7"	9"	10"	12"	15"	18"
Model	BCFD207	BCFD209	BCFD210	BCFD212	BCFD215	BCFD218
A	18	21	22-1/4	27	33-1/2	41-1/2
B	15-3/8	18	20	23	28	34
C	23	23	24-3/4	27-1/2	32	44
D	8-1/4	10-1/4	11-3/8	13-7/16	15-7/8	19-5/8
E	9-3/16	11-13/16	13-1/8	15-5/8	18-5/8	22-5/8
F	14-1/2	17-1/2	18-3/4	23-1/2	28	35
G	9-5/8	11-3/4	13-3/8	16-1/8	19-1/2	24
H	1-1/4	1-1/4	1-1/4	1-1/4	2-5/8	2-3/4
J	1-1/4	1-3/4	1-3/4	1-3/4	1-3/4	1-3/4
K	7/8	7/8	7/8	7/8	7/8	1-1/8
L	15-7/8	19	20-1/4	25	30-1/2	35-3/8
M	13-3/8	16	18	21	25	31-5/8

### OPTIONS

Wheel Dia.	Filter Section Ins. 1" Mesh EDP / List	Vib. Iso. Spring (H) Set of 4 EDP / List	Vib. Iso. Rubber (B) Set of 4 EDP / List	Vib. Iso. Spring (B-I) Set of 4 EDP / List	Insulated Cabinet EDP / List
7"	98701 \$256	98710 \$200	98716 \$112	98788 \$400	98794 \$117
9"	98702 \$295	98711 \$200	98717 \$112	98789 \$400	98795 \$134
10"	98703 \$334	98712 \$200	98718 \$112	98790 \$400	98796 \$128
12"	98704 \$384	98713 \$200	98719 \$112	98791 \$400	98797 \$134
15"	98705 \$445	98714 \$200	98720 \$128	98792 \$400	98798 \$162
18"	98706 \$645	98715 \$289	98721 \$200	98793 \$400	98799 \$273

Vibration Isolators shipped loose.  
H=Hanger Type Vibration Isolator; B=Bottom Type Vibration Isolator; I=For Indoor Use

The sound ratings shown are loudness values in fan sones at 5ft. (1.5m) in a hemispherical free field calculated per AMCA Standard 301. Values shown are for installation Type B: free inlet fan sone levels. Sones are given for the highest value over catalog range.