

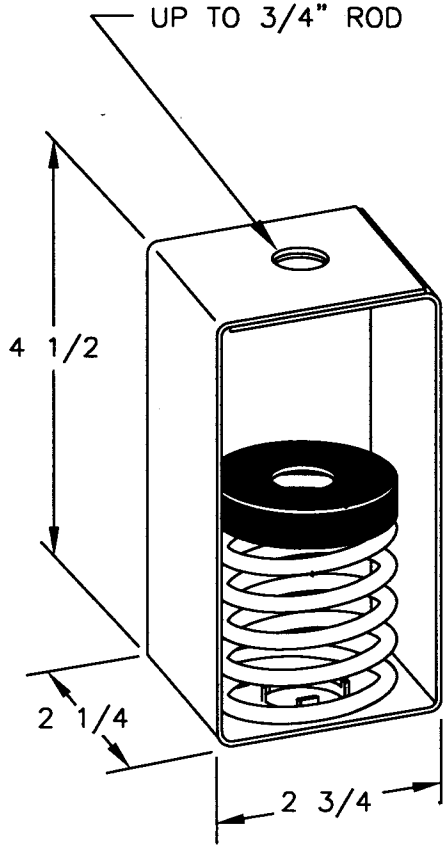


JOB: _____

CONTRACTOR: _____

P.O. NO. _____

TYPE "SNC1" SPRING HANGERS



ISOLATOR TYPE	COLOR CODE	RATED LOAD	RATED DEFL.	
SNC1	C20	RED	30#	1.0"
	C21	GREEN	60#	1.0"
	C22	BLUE	100#	1.0"
	C23	YELLOW	200#	1.0"

Note:

1. All hangers are designed to allow as much as a 30° angular rod misalignment.
2. Entire metal hanger box zinc-electroplated.

VIBRATION ELIMINATOR CO. INC.
 15 Dixon Avenue
 Copiague, NY 11726
 TEL. (631) 841-4000 FAX (631) 841-0020

Rev.		
Rev.		
Date:		Dwg. No.: