

CEILING FAN HEATER

ASK SERIES

AIR CURTAIN™

HEATED FROM ABOVE, SOOTHING BELOW

The AIR CURTAIN™ ceiling fan heater silently beams down heat from above. This unique model is ideal for rooms where wall space is limited. In bathrooms, the AIR CURTAIN™ can be installed just outside the shower or bathtub. With its ceiling-recessed casing, the AIR CURTAIN™ is an excellent way to provide discreet air circulation. The result: uniform heating and air movement, and reduction in mirror and window fog. By adding a wall timer, you can use it on demand.



CEILING MOUNTED

IDEAL FOR ROOMS WITH LIMITED WALL SPACE

HEATING ON DEMAND

WALL TIMER (OPTIONAL)

COMPACT AND QUIET

IDEAL FOR:

BATHROOMS, ENTRYWAYS, CHILD DAY CARE CENTERS, ROOMS WITH LIMITED WALL SPACE

COLORS

- standard: white, soft white
- ORORA (optional): denim blue, midnight blue, turquoise, moss green, canary yellow, red, orange, anodized aluminum paint, gravel gray, charcoal, espresso, almond, black (refer to www.stelpro.com/en-US/orora)

FINISH

epoxy-polyester powdercoat

MANUFACTURING

- 22-gauge steel cabinet and 20-gauge steel grille
- 1/4 in. deep front grille
- easy access for maintenance purposes (no screws)

THERMAL PROTECTION

thermal protection with automatic reset

ELEMENT

nichrome element produces instant heat

CONTROL

- built-in thermostat (optional)
- wall thermostat (not included) – the use of an electronic thermostat is strongly recommended
- 60-minute timer (optional)

INSTALLATION

- ceiling mounted (recommended height of 8 ft., maximum of 9 ft.)
- surface mounted with surface adapter (optional)
- recessed or surface mounted with adapter for suspended ceiling (optional)
- unit can be mounted parallel or perpendicular to ceiling beams
- approved to be recessed in mineral wool; for all other materials please verify with the manufacturer of the insulating product

ACCESSORIES

PRODUCT	DESCRIPTION
SKT1*	tamper-proof built-in thermostat [120 V-347 V] (grille must be removed to access this type of thermostat)
SKTBA*	adapter for suspended ceiling (2 ft. x 2 ft.) - recessed or surface mounted with surface adapter (not included)
SKSA*	surface adapter (ASK model)
SKDIS250*	disconnect switch [120 V-250 V] [17 A @ 120 V-12 A @ 250 V]
SKDIS600*	disconnect switch [277 V-600 V]
FD60MCW70	60-minute wall timer [120 V-277 V]

* Add W for white or SW for soft white

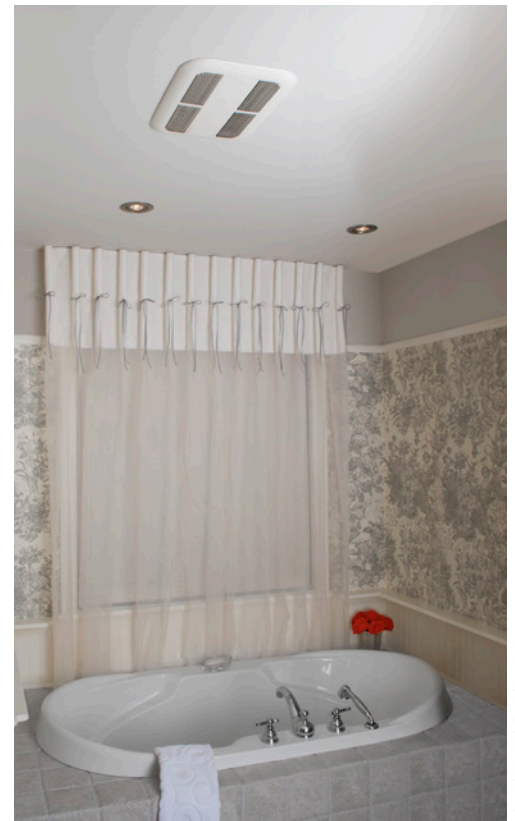
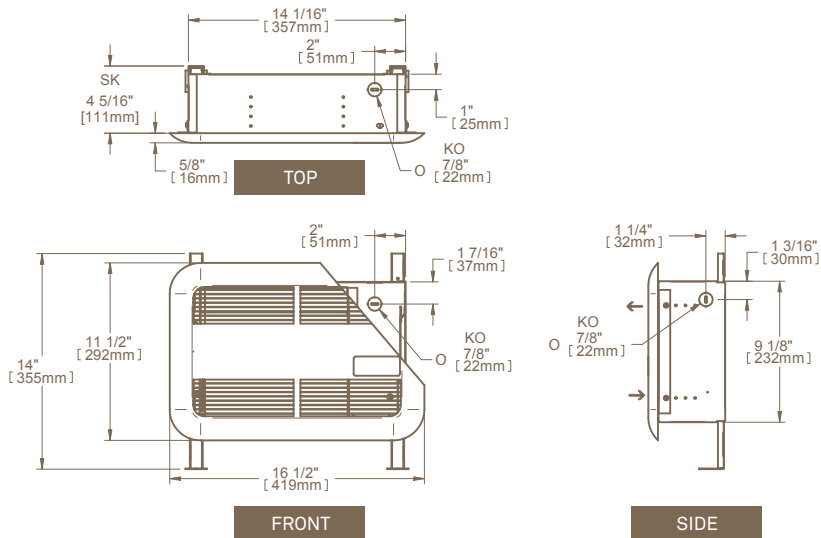
* Factory installed

TECHNICAL SPECIFICATIONS

PRODUCT		POWER		VOLTAGE	PHASE	FLOW	THROW DISTANCE	HEAT RISE	WEIGHT
CODE	WATTS	BTU/H	VOLTS	NB	CFM	FT.	°F	LB	
ASK0501	500	1706	120	1	60	8	46	11	
ASK0508	500	1706	208	1	60	8	46	11	
ASK0502	500/375	1706	240/208	1	60	8	46	11	
ASK0507	500	1706	277	1	60	8	46	11	
ASK0751	750	2560	120	1	60	8	75	11	
ASK0758	750	2560	208	1	60	8	75	11	
ASK0752	750/560	2560	240/208	1	60	8	75	11	
ASK0757	750	2560	277	1	60	8	75	11	
ASK1001	1000	3413	120	1	60	8	97	11	
ASK1008	1000	3413	208	1	60	8	97	11	
ASK1002	1000/750	3413	240/208	1	60	8	97	11	
ASK1007	1000	3413	277	1	60	8	97	11	
ASK1251	1250	4266	120	1	60	8	143	11	
ASK1258	1250	4266	208	1	60	8	143	11	
ASK1252	1250/940	4266	240/208	1	60	8	143	11	
ASK1257	1250	4266	277	1	60	8	143	11	
ASK1501	1500	5119	120	1	60	8	184	11	
ASK1508	1500	5119	208	1	60	8	184	11	
ASK1502	1500/1125	5119	240/208	1	60	8	184	11	
ASK1507	1500	5119	277	1	60	8	184	11	
---	2000	6825	120	1	90	10'6"	196	11	
---	2000	6825	208	1	90	10'6"	196	11	
ASK2002	2000/1500	6825	240/208	1	90	10'6"	196	11	
ASK2007	2000	6825	277	1	90	10'6"	196	11	

Add W for white or SW for soft white (see www.stelpro.com/en-US/orora for optional colors and contact your °STELPRO representative for more information)
 --- not available

TECHNICAL DRAWINGS



FC-ASK_NOPRICE_0317