



US DRAFT CO.

A Division of R.M. Manifold Group, Inc.

CGM-505

CO Monitor



Application

Monitors natural gas or LP fired equipment rooms in hospitals, hospitality, schools and office buildings

Function

Pre-programmed dry contact relays to shutdown natural gas or LP fired equipment during unsafe operation

Construction

The NEMA1 enclosure is constructed of ABS plastic

Code Compliance

The CGM-505 is designed to comply with all national code requirements

Complies with Texas State Boiler Code 65.603-2015

Warranty

Two year factory warranty

Description

The CGM-505 is an environmental, industrial and commercial indoor carbon monoxide gas detector specially designed to interlock with building management systems or other devices monitoring fossil fuel appliances.

The CGM-505 is designed to detect unsafe levels of carbon monoxide in the mechanical room or monitoring room.

The onboard dry contacts are programmed to energize upon start-up and will de-energize if unsafe levels of CO are present.

Relay #1 is preprogrammed to close a dry contact if the carbon monoxide level reached 50 ppm for five minutes, and relay #2 will close a dry contact at 100 ppm instantaneously.

An audible alarm activates at 50 ppm.

Standard Features & Equipment

0-10VDC control signal

Interlocks up to two appliances

24VDC or VAC power

Visual and audible alarm

NEMA1 enclosure

Optional Equipment

24VDC Power Supply

NIST calibration certificate

Replaceable electromechanical sensing element

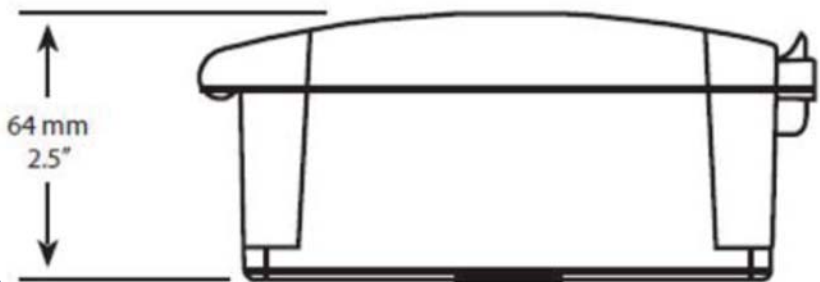
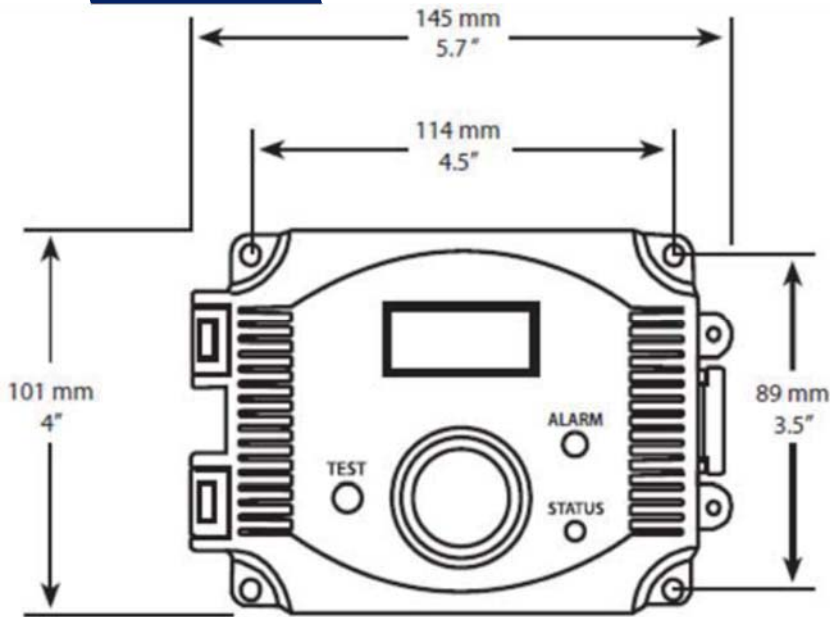
©2016 All rights reserved. Information may be updated without notice. Visit www.usdraftco.com for the most current information

US Draft Co

A Division of RM Manifold Group, Inc
220 S. Sylvania Avenue, Suite 207
Fort Worth, TX 76111
Phone: 817-393-4029
www.usdraftco.com

Power Requirements			
Voltage	Amps	Frequency	Phase
24VAC/VDC	.15/.13	60/NA	1/NA
Relay		Control Signal	
Voltage	Amps	Voltage	Amps
250VAC	5	0-10VDC	0.1

Specifications	
Agency Approvals	ANSI/UL 2034 & 2075
Coverage	7,500 ft ² or 50' radius
Accuracy 32-120°F	+/- 5 ppm or 5% of reading
Calibration Cycle	12-18 months
Response Time	<35 seconds @ 90% step
Warm Up Time	200 seconds
Buzzer Alarm	85dB @ 10'



©2016 All rights reserved. Information may be updated without notice. Visit www.usdraftco.com for the most current information

US Draft Co

A Division of RM Manifold Group, Inc
 220 S. Sylvania Avenue, Suite 207
 Fort Worth, TX 76111
 Phone: 817-393-4029
www.usdraftco.com

CGM-505

CO Monitor

202CGM
 Rev 0916