

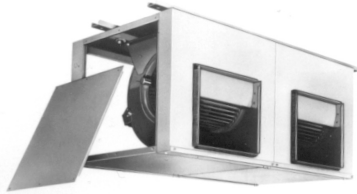
# BELT DRIVE TWIN DUCT BLOWERS

## MODEL TCFD



### FEATURES

- Economical, Quiet and Efficient for Indoor Use
- Forward Curved Blades Operate at Low RPM
- Blowers use a Common Shaft
- Baked Enamel Finish Standard

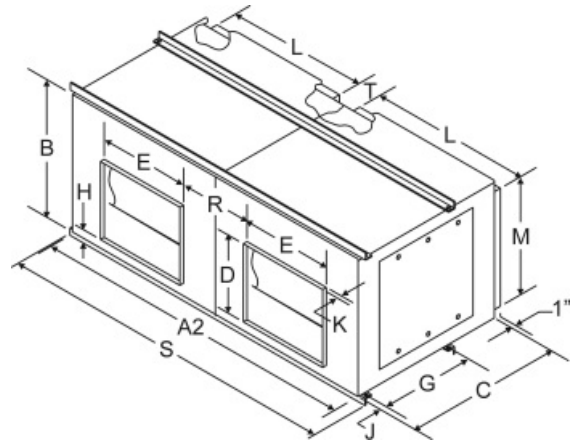


### PERFORMANCE / PRICING

Wheel Dia.	Catalog Number	Motor HP	RPM	Max BHP	1/8" S.P. CFM	1/4" S.P. CFM	3/8" S.P. CFM	1/2" S.P. CFM	3/4" S.P. CFM	1" S.P. CFM
7"	TCFD207-2DA	1/3	971	0.33	1771	1584	1339	225		
	TCFD207-2FA	1/2	1105	0.49	2063	1902	1727	1489		
	TCFD207-2HA	3/4	1270	0.75	2416	2275	2134	1978	1426	
	TCFD207-2JA	1	1400	1.00	2693	2563	2437	2305	1981	
	TCFD207-2KA	1-1/2	1602	1.50	3118	3002	2891	2780	2543	2241
9"	TCFD209-2DA	1/3	601	0.33	2385	1777				
	TCFD209-2FA	1/2	688	0.50	2815	2425	1650			
	TCFD209-2HA	3/4	788	0.75	3282	3042	2582	1718		
	TCFD209-2JA	1	867	1.00	3642	3461	3133	2653		
	TCFD209-2KA	1-1/2	998	1.52	4230	4100	3905	3597	2674	
10"	TCFD210-2DA	1/3	518	0.34	2754	1745				
	TCFD210-2FA	1/2	593	0.50	3274	2787				
	TCFD210-2HA	3/4	679	0.75	3846	3500	2911			
	TCFD210-2JA	1	747	1.00	4287	3998	3603			
	TCFD210-2KA	1-1/2	855	1.51	4975	4741	4462			
12"	TCFD212-2DA	1/3	421	0.33	3174					
	TCFD212-2FA	1/2	481	0.50	3917	2667				
	TCFD212-2HA	3/4	551	0.75	4694	3865	1498			
	TCFD212-2JA	1	607	1.00	5280	4641	3623			
	TCFD212-2KA	1-1/2	752	1.50	6168	5710	5026	4071	1151	
15"	TCFD215-2FA	1/2	320	0.50	4917					
	TCFD215-2HA	3/4	366	0.75	5871	3252				
	TCFD215-2JA	1	403	1.00	6584	5677	1034			
	TCFD215-2KA	1-1/2	462	1.50	7680	7161	5442	1109		
	TCFD215-2MA	2	548	2.00	8517	8112	7384	3412	1042	
	TCFD215-2OA	*3	629	3.01	9845	9539	9116	8397	5546	

\*3HP models are shipped with motor and drive unmounted. Performance shown is for installation Type B - Free inlet, Ducted outlet, without filter section. Power rating (BHP) does not include drive losses. Performance ratings do not include the effects of appurtenances in the airstream. The sound ratings shown are loudness values in fan sones at 5ft. (1.5m) in a hemispherical free field calculated per AMCA Standard 301. Values shown are for installation Type B: free inlet fan sone levels. Twin unit data is derived from tests of single width fans. Sones are given for the highest value over catalog range.

Max Sones	Ship Wt. Blower / Complete Unit	Motor & Drive Mounted			Blower Only EDP#
		1 Phase ODP 115V EDP#	1 Phase ODP 115/230V EDP#	3 Phase ODP 208/230/460V EDP#	
16.8	145 / 170	98801			98800
17.1	145 / 177		98802	98803	
25	145 / 177		98804	98805	
29	145 / 188		98806	98807	
29	145 / 199		98808	98809	
10.3	163 / 188	98811			98810
13.4	163 / 195		98812	98813	
12.6	163 / 195		98814	98815	
19.3	163 / 206		98816	98817	
21	163 / 217		98818	98819	
7.4	190 / 215	98821			98820
11.1	190 / 222		98822	98823	
15	190 / 222		98824	98825	
15.4	190 / 233		98826	98827	
17.8	190 / 244		98828	98829	
7.5	240 / 265	98831			98830
7.8	240 / 272		98832	98833	
9.5	240 / 272		98834	98835	
12.6	240 / 283		98836	98837	
16.1	240 / 294		98838	98839	
6	345 / 377		98841	98842	98840
10.5	345 / 377		98843	98844	
13.9	345 / 388		98845	98846	
17.5	345 / 399		98847	98848	
17.8	345 / 410			98849	
20	345 / 443			98850	



### DIMENSIONS (Inches)

Wh. Dia.	7"	9"	10"	12"	15"
Model	TCFD207-2	TCFD209-2	TCFD210-2	TCFD212-2	TCFD215-2
A2	36	42	44-1/2	54	67
B	15-3/8	18	20	23	28
C	23	23	24-3/4	27-1/2	32
D	8-1/4	10-1/4	11-3/8	13-7/16	15-7/8
E	9-3/16	11-13/16	13-1/8	15-5/8	18-5/8
G	9-5/8	11-3/4	13-3/8	16-1/8	19-1/2
H	1-1/4	1-1/4	1-1/4	1-1/4	2-5/8
J	1-1/4	1-3/4	1-3/4	1-3/4	1-3/4
K	7/8	7/8	7/8	7/8	7/8
L	15-7/8	19	20-1/4	25	30-1/2
M	13-3/8	16	18	21	25
R	8-13/16	9-3/16	9-1/8	11-3/8	14-7/8
S	38-1/4	44-1/4	46-3/4	56-1/4	69-1/4
T	2	2	2	2	3

### OPTIONS

Wheel Dia.	Filter Section (2)* Ins. 1" Mesh EDP#	Vib. Iso. Spring (H) Set of 4 EDP#	Vib. Iso. Rubber (B) Set of 4 EDP#	Vib. Iso. Spring (B-I) Set of 4 EDP#	Insulated Cabinet EDP#
7"	98851	98856	98866	98871	98876
9"	98852	98857	98867	98872	98877
10"	98853	98858	98868	98873	98878
12"	98854	98859	98869	98874	98879
15"	98855	98860	98870	98875	98880

\*Two filter sections required for each twin unit are included in price.  
Vibration Isolators shipped loose.  
H=Hanger Type Vibration Isolator; B=Bottom Type Vibration Isolator; I=For Indoor Use