

FORWARD CURVED SW-SI UTILITY BLOWERS

MODEL UXFD



FEATURES

- Vented Motor and Drive Compartment Cover for Safety and Weather Protection
- Standard Top Horizontal Discharge Easily Field Rotated to 8 Positions
- Available in CCW (standard) or CW Rotation
- Enamel Finish Standard



PERFORMANCE / PRICING

Wheel Dia.	Catalog Number	Motor HP	RPM	Max BHP	1/4" S.P. CFM	3/8" S.P. CFM	1/2" S.P. CFM	3/4" S.P. CFM	1" S.P. CFM	1¼" S.P. CFM	1½" S.P. CFM
11-1/8"	UXFD610CA	1/4	750	0.27	1244	1108	934				
	UXFD610DA	1/3	810	0.35	1382	1262	1124				
	UXFD610FA	1/2	915	0.53	1618	1515	1406	1132			
	UXFD610HA	3/4	1035	0.79	1882	1791	1699	1498	1225		
	UXFD610JA	1	1130	1.04	2087	2003	1920	1746	1545	1250	
	UXFD610KA	1-1/2	1274	1.59	2427	2353	2208	2133	1979	1805	1585
	UXFD610MA	2	1380	2.04	2659	2590	2522	2388	2250	2104	1939
12-7/8"	UXFD612DA	1/3	660	0.37	1806	1608	1373				
	UXFD612FA	1/2	725	0.52	2061	1884	1696	988			
	UXFD612HA	3/4	810	0.77	2380	2219	2059	1691			
	UXFD612JA	1	882	1.03	2649	2497	2351	2045	1628		
	UXFD612KA	1-1/2	990	1.52	3049	2907	2774	2513	2228	1847	
	UXFD612MA	2	1075	1.99	3362	3225	3099	2859	2613	2335	1956
15-1/2"	UXFD615DA	1/3	427	0.33	2312	1593					
	UXFD615FA	1/2	476	0.51	2793	2313	1391				
	UXFD615HA	3/4	529	0.75	3277	2893	2410				
	UXFD615JA	1	572	1.00	3655	3316	2928	1085			
	UXFD615KA	1-1/2	646	1.51	4285	3997	3690	2926	536		
	UXFD615MA	2	706	2.03	4784	4524	4254	3674	2767	243	
	UXFD615OA	3	800	3.06	5551	5325	5092	4604	4041	3276	976
	UXFD615PA	5	936	5.05	6639	6444	6249	5852	5434	4973	4429
18-1/2"	UXFD618FA	1/2	395	0.51	2889	2422	140				
	UXFD618HA	3/4	439	0.75	3385	3006	2533				
	UXFD618JA	1	478	1.01	3811	3472	3101	105			
	UXFD618KA	1-1/2	538	1.52	4452	4150	3846	3108			
	UXFD618MA	2	584	2.01	4937	4653	4276	3779	2838		
	UXFD618OA	3	662	3.04	5749	5486	5239	4747	4196	3399	
	UXFD618PA	5	773	5.04	6893	6649	6425	6003	5582	5128	4589

Discharge is top horizontal. Can be easily field rotated. Standard rotation is counterclockwise (CCW). Allow 4-6 weeks lead time for clockwise rotation. Power rating (BHP) does not include drive losses. Performance shown is for installation Type B - Free inlet, Ducted outlet. Performance ratings do not include the effects of appurtenances in the airstream.

Additional UXFD sizes continued on pages 3 & 4.



FORWARD CURVED SW-SI UTILITY BLOWERS MODEL UXFD

Ship Wt. Blower / Complete Unit	Motor & Drive Mounted						Blower Only CCW (Std) EDP#	Blower Only CW EDP#
	1 Phase ODP 115V CCW (Std) EDP#	1 Phase ODP 115V CW EDP#	1 Phase ODP 115/230V CCW (Std) EDP#	1 Phase ODP 115/230V CW EDP#	3 Phase ODP 208/230/460V CCW (Std) EDP#	3 Phase ODP 208/230/460V CW EDP#		
70 / 85	98883	99306 \$1361					98881	98882
70 / 87	98885	98886 \$1417						
70 / 94			98887	98888	98889	98890		
70 / 94			98891	98892	98893	98894		
70 / 105			98895	98896	98897	98898		
70 / 118			98899	98900	98901	98902		
70 / 127					98903	98904		
75 / 93	98907	98908 \$1449					98905	98906
75 / 100			98909	98910	98911	98912		
75 / 100			98913	98914	98915	98916		
75 / 111			98917	98918	98919	98920		
75 / 133			99291	99292	99293	99294		
75 / 133					98921	98922		
146 / 175	98925	98926 \$2047					98923	98924
146 / 182			98927	98928	98929	98930		
146 / 182			98931	98932	98933	98934		
146 / 193			98935	98936	98937	98938		
146 / 204			98939	98940	98941	98942		
146 / 215					98943	98944		
146 / 248					98945	98946		
146 / 236					98947	98948		
166 / 198			98951	98952	98953	98954	98949	98950
166 / 198			98955	98956	98957	98958		
166 / 209			98959	98960	98961	98962		
166 / 220			98963	98964	98965	98966		
166 / 231					98967	98968		
166 / 264					98969	98970		
166 / 252					98971	98972		

Options Listed on page 3.
Dimensional Chart & Line Drawings on page 4.

FORWARD CURVED SW-SI UTILITY BLOWERS

MODEL UXFD - Continued from page 5



PERFORMANCE / PRICING

Wheel Dia.	Catalog Number	Motor HP	RPM	Max BHP	1/4" S.P. CFM	3/8" S.P. CFM	1/2" S.P. CFM	3/4" S.P. CFM	1" S.P. CFM	1 1/4" S.P. CFM	1 1/2" S.P. CFM
20-7/16"	UXFD620FA	1/2	327	0.50	3451	2536					
	UXFD620HA	3/4	364	0.76	4104	3510	322				
	UXFD620JA	1	396	1.03	4635	4144	3489				
	UXFD620KA	1-1/2	442	1.52	5371	4961	4494	304			
	UXFD620MA	2	481	2.02	5978	5612	5217	4167			
	UXFD620OA	3	544	3.04	6938	6621	6293	5555	4483		
	UXFD620PA	5	636	5.03	8307	8039	7768	7201	6566	5762	4006
	UXFD620QA	7-1/2	723	7.55	9583	9346	9110	8628	8122	7566	6913
	UXFD620RA	10	792	10.04	10584	10367	10151	9717	9271	8800	8288
22-1/8"	UXFD622FA	1/2	296	0.51	3786	2604					
	UXFD622HA	3/4	327	0.76	4485	3740					
	UXFD622JA	1	357	1.05	5125	4507	3683				
	UXFD622KA	1-1/2	396	1.52	5929	5395	4805				
	UXFD622MA	2	430	2.02	6614	6125	5619	4239			
	UXFD622OA	3	485	3.03	7704	7261	6828	5885	4352		
	UXFD622PA	5	566	5.04	9282	8883	8506	7760	6946	5877	
	UXFD622QA	7-1/2	642	7.59	10746	10374	10028	9369	8707	7992	7136
	UXFD622RA	10	702	10.1	11894	11538	11211	10596	9998	9385	8723
25-1/4"	UXFD625JA	1	281	1.01	6142	4774					
	UXFD625KA	1-1/2	314	1.56	7352	6325	4874				
	UXFD625MA	2	337	2.02	8160	7248	6160				
	UXFD625OA	3	378	3.03	9558	8769	7932	5482			
	UXFD625PA	5	439	5.03	11579	10896	10217	8731	6529		
	UXFD625QA	7-1/2	498	7.61	13494	12876	12277	11064	9696	7809	825
	UXFD625RA	10	544	10.11	14969	14389	13834	12739	11590	10267	8451

Discharge is top horizontal. Can be easily field rotated. Standard rotation is counterclockwise (CCW). Allow 4-6 weeks lead time for clockwise rotation. Performance shown is for installation Type B - Free inlet, Ducted outlet. Power rating (BHP) does not include drive losses. Performance ratings do not include the effects of appurtenances in the airstream.

COATING SPECIFICATIONS AND RECOMMENDATIONS:

Eisen-Heiss - Especially effective metal protection for the chemical, paper/pulp, food processing and drug industries. Should not be used on surfaces that, in use, will exceed 160°F or for immersion conditions.

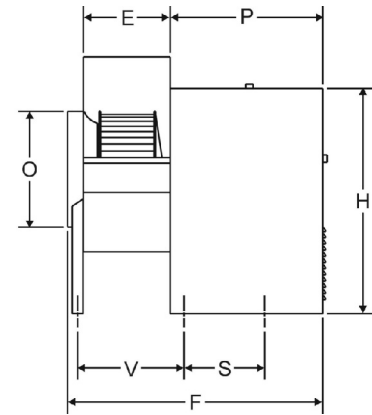
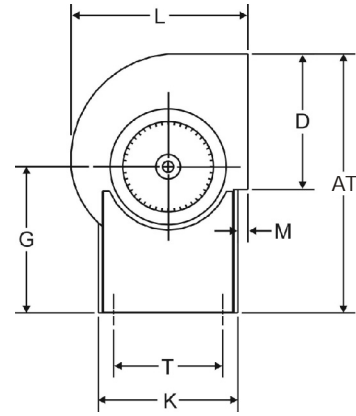
Heresite - Will withstand exposure to practically all corrosive atmospheres with the exception of strong alkalis, strong oxidizers, and wet bromine, chlorine and fluorine in concentrations greater than 100 ppm. Maximum temperature resistance is 450°F.

OPTIONS

Wheel Dia.	Eisen-Heiss Coating* EDP#	Heresite Coating* EDP#	Clean Out Door EDP#	Drain Fitting EDP#	Heat Slinger** EDP#	Inlet Screen** EDP#	Outlet Screen** EDP#	Backdraft Damper** EDP#	Vib. Iso. Rubber** (B) EDP#	Vib. Iso. Spring** (B-I) EDP#	Shaft Seal** EDP#
11-1/8"	99089	99096	99103	99110	99117	99124	99297	99131	99138	99145	99152
12-7/8"	99090	99097	99104	99111	99118	99125	99298	99132	99139	99146	99153
15-1/2"	99091	99098	99105	99112	99119	99126	99299	99133	99140	99147	99154
18-1/2"	99092	99099	99106	99113	99120	99127	99300	99134	99141	99148	99155
20-7/16"	99093	99100	99107	99114	99121	99128	99301	99135	99142	99149	99156
22-1/8"	99094	99101	99108	99115	99122	99129	99302	99136	99143	99150	99157
25-1/4"	99095	99102	99109	99116	99123	99130	99303	99137	99144	99151	99158

*Wheel and housing only. **Shipped Loose
B=Bottom Type Vibration Isolator: I=For Indoor Use

Ship Wt. Blower / Complete Unit	Motor & Drive Mounted				Blower Only CCW (Std) EDP#	Blower Only CW EDP#
	1 Phase ODP 115/230V CCW (Std) EDP#	1 Phase ODP 115/230V CW EDP#	3 Phase ODP 208/230/460V CCW (Std) EDP#	3 Phase ODP 208/230/460V CW EDP#		
354 / 390	98975	98976	98977	98978	98973	98974
354 / 390	98979	98980	98981	98982		
354 / 401	98983	98984	98985	98986		
354 / 412	98987	98988	98989	98990		
354 / 423			98991	98992		
354 / 456			98993	98994		
354 / 444			98995	98996		
354 / 523			98997	98998		
354 / 534			98999	99040		
375 / 422	99043	99044 \$4028	99045	99046	99041	99042
375 / 422	99047	99048	99049	99050		
375 / 433	99051	99052	99053	99054		
375 / 444	99055	99056	99057	99058		
375 / 455			99059	99060		
375 / 488			99061	99062		
375 / 476			99063	99064		
375 / 555			99065	99066		
375 / 588			99067	99068		
415 / 480	99071	99072	99073	99074	99069	99070
415 / 491	99075	99076	99077	99078		
415 / 502			99079	99080		
415 / 535			99081	99082		
415 / 523			99083	99084		
415 / 602			99085	99086		
415 / 613			99087	99088		



DIMENSIONS (Inches)

Wh. Dia.	11-1/8"	12-7/8"	15-1/2"	18-1/2"	20-7/16"	22-1/8"	25-1/4"
Model	UXFD610	UXFD612	UXFD615	UXFD618	UXFD620	UXFD622	UXFD625
AT	24-13/16	26-9/16	36-3/4	36-5/16	48-9/16	50-9/16	53-11/16
D	11-3/8	13-7/16	17	18-7/8	24-3/4	27-1/4	31-1/4
E	9-3/16	9-3/16	12-1/2	14	15-3/4	17-1/8	19-5/8
F	28-9/16	28-9/16	35-7/8	37-3/8	46-7/16	47-13/16	50-5/16
G	15-1/16	15-1/16	20-1/16	20-1/16	28	28	28
H	21-5/16	21-5/16	29-1/8	29-1/8	40-7/8	40-7/8	40-7/8
K	13-3/16	13-3/16	16-9/16	16-9/16	25-1/4	25-1/4	25-1/4
L	16-3/4	19-1/2	25-15/16	27	32-7/16	35-1/2	39-5/8
M	1-3/8	2-1/2	3-1/8	4-1/8	1-11/16	2-15/16	4-1/2
N	3/4	3/4	1	1	1-3/16	1-3/16	1-3/16
O	12	14	17	18	21	22-1/2	26-3/4
P	17-1/4	17-1/4	21-1/8	21-1/8	27-11/16	27-11/16	27-11/16
S	11-3/4	11-3/4	11-1/2	11-1/2	14-5/8	14-5/8	14-5/8
T	11-7/16	11-7/16	14-11/16	14-11/16	22-1/2	22-1/2	22-1/2
V	-	-	15-5/8	17-1/8	18-7/8	20-1/4	22-3/4