

## WRE & WC SHUTTERS



### FEATURES

- Indoor / Outdoor, Wall / Ceiling Mounts
- Opens with Fan Pressure
- Gravity Closes When Fan is Turned Off

### ALUMINUM EXHAUST & SUPPLY SHUTTERS

EDP Number	Catalog Number	For Fans Diameter	Type	Inside	Outside	Req. Open. (Sq. In.)	No. Holes 17/64" Dia.	Sections	Motor Kits
22753	WR9E	10"	EXHAUST	10" SQ.	13" SQ.	10 3/4"	8	1	MK-4620
22750	WR10E	10"	EXHAUST	12" SQ.	15" SQ.	12 3/4"	8	1	
22765	WR12E	12"	EXHAUST	14" SQ.	17" SQ.	14 3/4"	8	1	
22775	WR16E	16"	EXHAUST	18" SQ.	21" SQ.	18 3/4"	12	1	
22785	WR18E	18"	EXHAUST	20" SQ.	23" SQ.	20 3/4"	12	1	
22795	WR24E	24"	EXHAUST	26" SQ.	29" SQ.	26 3/4"	12	1	
22805	WR30E	30"	EXHAUST	32" SQ.	35" SQ.	32 3/4"	16	1	
22815	WR36E	36"	EXHAUST	38" SQ.	41" SQ.	38 3/4"	16	1	
22825	WR42E	42"	EXHAUST	44" SQ.	47" SQ.	44 3/4"	20	2	
22835	WR48E	48"	EXHAUST	50" SQ.	53" SQ.	50 3/4"	20	2	
22845	WR54E	54"	EXHAUST	56" SQ.	59" SQ.	56 3/4"	24	2	MK-4621
22855	WR60E	60"	EXHAUST	62" SQ.	65" SQ.	62 3/4"	24	3	MK-7240
22754	WC9	10"	SUPPLY	10" SQ.	13" SQ.	10 3/4"	8	1	MK-5047
22755	WC10	10"	SUPPLY	12" SQ.	13" SQ.	10 3/4"	8	1	
22611	WC12	12"	SUPPLY	14" SQ.	17" SQ.	14 3/4"	8	1	
22621	WC16	16"	SUPPLY	18" SQ.	21" SQ.	18 3/4"	12	1	
22631	WC18	18"	SUPPLY	20" SQ.	23" SQ.	20 3/4"	12	1	
22641	WC24	24"	SUPPLY	26" SQ.	29" SQ.	26 3/4"	12	1	
22651	WC30	30"	SUPPLY	32" SQ.	35" SQ.	32 3/4"	16	1	
22661	WC36	36"	SUPPLY	38" SQ.	41" SQ.	38 3/4"	16	1	
22671	WC42	42"	SUPPLY	44" SQ.	47" SQ.	44 3/4"	20	2	
22681	WC48	48"	SUPPLY	50" SQ.	53" SQ.	50 3/4"	20	2	
22691	WC54	54"	SUPPLY	56" SQ.	59" SQ.	56 3/4"	24	2	
22701	WC60	60"	SUPPLY	62" SQ.	65" SQ.	62 3/4"	24	2	

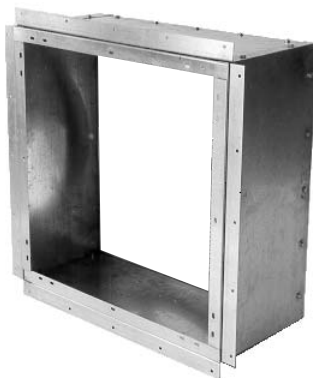
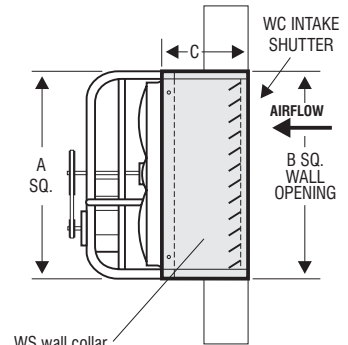
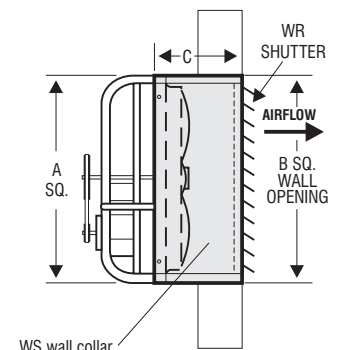
WR42E and larger are two panel construction. WR60E is three panel.  
If used for side wall Intake Damper, a Motor Actuator Kit must be utilized with shutter.

## WS WALL COLLARS

### DIMENSIONS

Prop Dia.	A Sq.	B Wall Opening	C	Wall Collar	Exhaust Shutter	Supply Shutter	Rear Guard*
10 EPR	14	15	12	WS10	WR9E	WC9	N/R
12	16	17	12	WS12	WR10E	WC10	12RG
16 EPR	20	21	12	WS16E	WR12E	WC12	N/R
16	22	23	12	WS18E	WR16E	WC16	16RG
18 EPR	22	23	12	WS18E	WR16E	WC16	N/R
18	24	25	12	WS18	WR18E	WC18	18RG
24	30	31	14	WS24	WR24E	WC24	24RG
30	36	37	14 1/2	WS30	WR30E	WC30	30RG
36	42	43	17	WS36	WR36E	WC36	36RG
42	48	49	19	WS42	WR42E	WC42	42RG
48	54	55	21	WS48	WR48E	WC48	48RG
54	60	61	23	WS54	WR54E	WC54	54RG
60	66	67	25	WS60	WR60E	WC60	60RG

\*Rear guards are standard on all EPR, and 18" & 24" single phase PD series fans.



### NOTES:

WS wall collars are shipped knocked down. Fan not included with WS wall collars. WS Wall Collars are designed for applications where the fans are to be mounted at least 7 feet above the floor/working space. RG Rear Guards are designed for applications where the fans are to be mounted within 7 feet of the floor/working space.

## WH WEATHERHOODS

### FEATURES

- All Steel Construction
- Powder Coat Epoxy Finish
- Bird Screen
- Turning Vanes

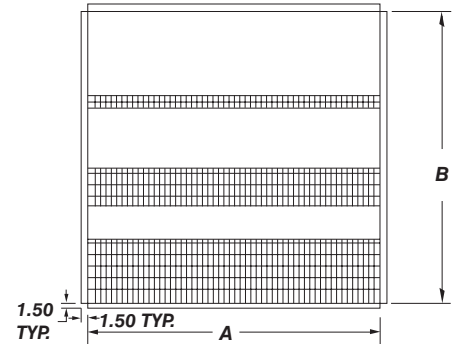
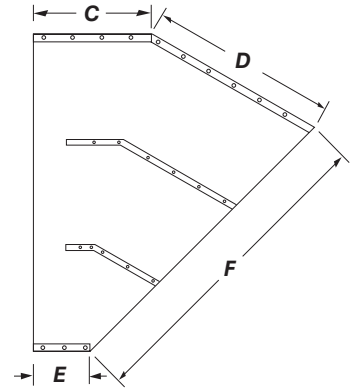
### Dimensions

Cat. No.	A	B	C	D	E	F
WH24	30.50	30.50	15.29	18.06	9.43	30.50
WH30	36.50	36.50	18.30	21.62	11.28	36.50
WH36	42.50	42.50	21.31	25.17	13.14	42.50
WH42	48	48	19.42	28.43	10.19	48
WH48	54	54	21.04	31.98	10.65	54
WH54	60	60	22.88	35.54	11.34	60
WH60	66	66	24.04	38.59	11	66

Weatherhoods shipped knocked down for field assembly.

Size	EDP#	Cat. No.
Hood for 24" Unit	99915	WH24
Hood for 30" Unit	99916	WH30
Hood for 36" Unit	99917	WH36
Hood for 42" Unit	99921	WH42
Hood for 48" Unit	99923	WH48
Hood for 54" Unit	99918	WH54
Hood for 60" Unit	99919	WH60

Used on 24" - 60" propeller wall fans.



## MOTOR CONTROLS - DISCONNECT SWITCHES & THERMOSTAT

### DISCONNECT SWITCH SPECIAL ENCLOSURES ALL FAN MODELS

EDP No.	MAX HP	VOLTAGE/ PHASE
RAIN TIGHT NON FUSIBLE		
9150G44	1	115/1/60
9150G44	2	230/1/60
9150G45	7½	230/3/60
9150G45	10	460/3/60

### EXPLOSION PROOF

#### Class I, GR C, D; Class II, GR E, F, G

EDP No.	MAX HP	VOLTAGE/ PHASE
9150G48	1	115/1/60
9150G48	2	230/1/60
9150G49	7½	230/3/60
9150G49	10	460/3/60

### DISCONNECT SWITCHES

#### DISCONNECT SWITCH ONLY (UNMOUNTED)

EDP No.	MAX HP	VOLTAGE/ PHASE
9152341	1½	115/1/60
9152339	2	230/1/60
9152339	2	230/3/60
9152339	2	460/3/60
9152302	7½	230/3/60
9152302	10	460/3/60

NOTE: Two speed motors require two disconnect switches, choose switches from list above based on electrical and HP ratings of fan. Not available factory mounted.

### XRA-4 THERMOSTAT

EDP No.
89576

## MOTOR CONTROLS - MANUAL MOTOR STARTERS

### TWO SPEED MANUAL MOTOR STARTER WITHOUT PROVISION FOR OVERLOAD PROTECTOR

EDP No.	MAX HP	VOLTAGE/PHASE
85388	3/4	115/1/60
9152327	1	115/1/60
9152327	2	230/1/60
ONE WINDING		
9152385	1	230/3/60
9152385	3	460/3/60
TWO WINDING		
9152369	1	230/460/3/60
9152384	3	230/460/3/60

### MANUAL MOTOR STARTER WITH PROVISION FOR OVERLOAD PROTECTOR (PROTECTOR ELEMENTS NOT SUPPLIED)

EDP No.	MAX HP	VOLTAGE/PHASE
9152386	1½	115/1/60
9152386	2	230/1/60
9152374	2	230/3/60
9152374	2	460/3/60
9152304	7½	230/3/60
9152304	10	460/3/60

NOTE: When motor controls without overload are used protection should be provided in the line to prevent motor burnout.

### WALL MOUNT MOTOR CONTROLS - ALL FAN MODELS MANUAL MOTOR STARTER WITHOUT PROVISION FOR OVERLOAD PROTECTOR

EDP No.	MAX HP	VOLTAGE/PHASE
9152301	1	115/1/60
9152301	2	230/1/60
9152302	7½	230/3/60
9152302	10	460/3/60