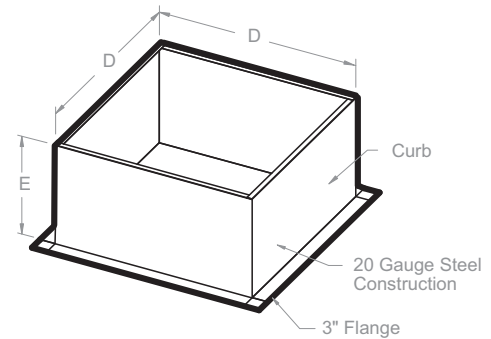
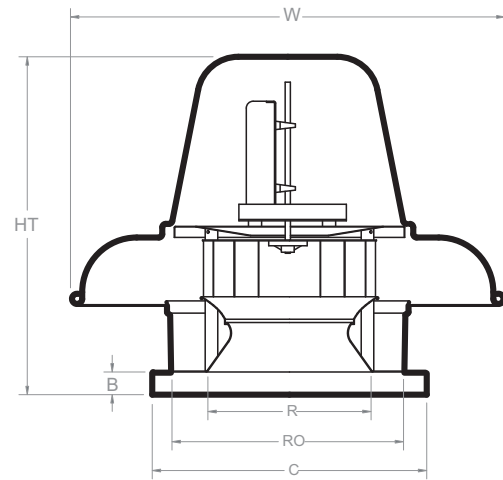


DD-FA Belt Drive

Centrifugal Downblast Exhaust Fans



Features & Benefits

- Complete range of motors available to meet specific application needs
- Heavy duty construction, durable and weather resistant
- Non-overloading backward inclined wheels, blades and inlets fabricated from 3003-H14 aluminum
- Wall mount applications; units up to 24" nominal wheel can be wall mounted
- Forced fresh air through the motor compartment cools motor and ensures long motor life
- Quick release latches allow for easy access to motor compartment
- Standard bird screen
- Variable pitch motor pulley allows for field adjustment and system balancing
- High efficiency combined with low tip speeds result in quiet operation
- Disconnect switch
- Vibration isolation

Options

- Gravity Damper
- Motorized Damper
- Wall Mount Sleeve
- Roof Curb
- ECM Motor

Certifications



CaptiveAire® certifies that Models DD7FA thru DD36FA shown herein are licensed to bear the AMCA seal. The ratings shown are based on tests & procedures performed in accordance with AMCA Publication 211 and Publication 311, and comply with the requirements of the AMCA Certified Ratings Program.



Models DD7FA thru DD36FA are ETL Listed and comply with UL705 (electrical) Standards and CSA Std. C22.2, No. 113.

Measurements

MODEL	HT	W	B	C	D	E	R	RO	Weight (lbs)	Damper (lbs)
DD7FA	25 1/2	26 1/4	2	21	19 1/2	12	12 1/8	16	90	15
DD8FA	25 1/2	26 1/4	2	21	19 1/2	12	12 1/8	16	90	15
DD9FA	25 1/2	26 1/4	2	21	19 1/2	12	12 1/8	16	90	15
DD11FA	25 1/2	26 1/4	2	21	19 1/2	12	12 1/8	16	105	15
DD13FA	27 1/4	29 5/8	2	21	19 1/2	12	13 1/4	16	105	15
DD15FA	30 5/8	33 1/4	2	24 3/4	23	12	14 7/8	20	130	19
DD18FA	32 3/4	38 15/16	2	28	26 1/2	12	16 1/2	24	190	23
DD20FA	32 3/4	38 15/16	2	28	26 1/2	12	18	24	195	23
DD24FA	37 3/4	43 7/16	2	33	31 1/2	12	23 7/8	28	215	27
DD30FA	40	52 13/16	2	40	38 1/2	12	24	36	380	35
DD36FA	45 9/16	63 5/16	2	44	42 1/2	12	25 1/4	40	470	35 1/2

Motor Frame

Model	Largest Frame
DD7FA	56
DD8FA	56
DD9FA	56
DD11FA	56
DD13FA	56
DD15FA	145T
DD18FA	145T
DD20FA	145T
DD24FA	182T
DD30FA	182T
DD36FA	213T

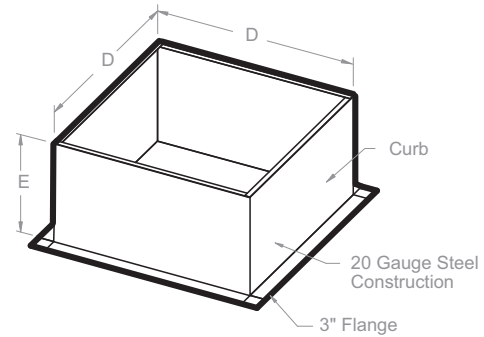
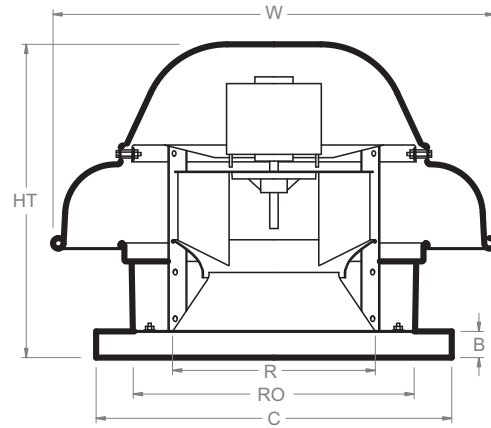
DD-FA Performance

BHP (Brake Horsepower): The actual power developed by a motor as measured by the force applied to a shaft or flywheel.

Performance		0.00"sp	0.25"sp	0.50"sp	0.75" sp	1.00" sp	1.25 sp	1.50" sp	1.75 sp	2.00" sp	2.25" sp
MODEL	CFM	RPM Sone/BHP	RPM Sone/BHP	RPM Sone/BHP	RPM Sone/BHP	RPM Sone/BHP	RPM Sone/BHP	RPM Sone/BHP	RPM Sone/BHP	RPM Sone/BHP	RPM Sone/BHP
DD20FA	3000	523 5.6 / 0.14	614 6.8 / 0.27	707 8.4 / 0.43	796 8.8 / 0.59	883 10.9 / 0.78					
DD20FA	3500	610 7.8 / 0.23	687 9.0 / 0.38	768 10.4 / 0.55	846 10.0 / 0.73	922 11.9 / 0.92	997 13.7 / 1.14	1071 14.9 / 1.37			
DD20FA	4000	697 10.4 / 0.34	764 11.6 / 0.51	834 11.6 / 0.69	904 13.7 / 0.89	972 13.2 / 1.11	1039 15.2 / 1.33				
DD20FA	4500	784 12.4 / 0.49	843 13.0 / 0.67	905 14.8 / 0.87	968 15.8 / 1.09	1029 17.0 / 1.32	1090 17.1 / 1.56				
DD20FA	5000	872 14.7 / 0.67	924 16.2 / 0.87	979 17.6 / 1.09	1036 18.2 / 1.33	1092 18.7 / 1.57					
DD20FA	5500	959 17.4 / 0.89	1006 18.9 / 1.11	1056 19.3 / 1.35							
DD20FA	6000	1046 21 / 1.15	1089 21 / 1.39								
DD24FA	4000	422 6.5 / 0.17	511 8.3 / 0.36	598 9.4 / 0.58	679 12.1 / 0.83	756 14.9 / 1.10	831 16.3 / 1.40	903 17.6 / 1.73	972 19.7 / 2.08		
DD24FA	5000	527 9.5 / 0.34	597 11.1 / 0.56	670 13.2 / 0.82	739 15.4 / 1.10	805 15.9 / 1.40	868 16.9 / 1.72	903 18.2 / 2.06	990 20 / 2.43		
DD24FA	6000	633 13.3 / 0.59	690 14.7 / 0.85	751 17.1 / 1.14	811 17.6 / 1.46	869 18.0 / 1.79	924 18.0 / 2.14	978 19.9 / 2.51			
DD24FA	7000	738 17.4 / 0.93	786 18.8 / 1.23	838 18.8 / 1.56	891 18.9 / 1.92	942 20 / 2.29	992 21 / 2.67				
DD24FA	8000	844 19.6 / 1.39	885 20 / 1.72	930 21 / 2.09	976 23 / 2.48						
DD24FA	9000	949 22 / 1.98	986 24 / 2.35								
DD30FA	7500	457 9.4 / 0.67	504 10.6 / 1.01	547 11.0 / 1.34	592 11.0 / 1.71	639 12.0 / 2.12	683 13.3 / 2.55	724 14.5 / 2.98	761 15.5 / 3.41	797 16.4 / 3.85	831 17.4 / 4.30
DD30FA	8500	518 12.2 / 0.97	561 12.8 / 1.37	598 12.5 / 1.73	636 12.6 / 2.12	677 14.1 / 2.55	718 14.3 / 3.02	758 15.4 / 3.50	795 16.3 / 3.99	830 17.6 / 4.48	
DD30FA	9500	579 13.3 / 1.36	618 14.8 / 1.81	652 14.3 / 2.21	685 15.3 / 2.63	720 15.6 / 3.08	757 17.0 / 3.57	794 16.3 / 4.08	830 18.6 / 4.62		
DD30FA	10500	640 15.5 / 1.83	676 16.8 / 2.34	707 17.2 / 2.79	737 16.8 / 3.24	768 17.7 / 3.71	800 18.4 / 4.22	833 19.8 / 4.76			
DD30FA	11500	700 17.6 / 2.41	735 18.7 / 2.97	763 19.8 / 3.46	791 18.3 / 3.96	818 21 / 4.46	847 21 / 4.99				
DD30FA	12500	761 19.7 / 3.09	794 21 / 3.71	820 23 / 4.26	846 23 / 4.79						
DD30FA	13500	822 24 / 3.89									
DD36FA	9000	307 6.2 / 0.47	359 7.6 / 0.90	409 9.0 / 1.36	461 10.5 / 1.88	513 13.0 / 2.46	563 15.7 / 3.09				
DD36FA	11000	375 9.3 / 0.86	418 10.5 / 1.38	459 11.7 / 1.91	501 12.5 / 2.49	543 14.6 / 3.11	586 17.0 / 3.79	628 19.3 / 4.51	669 22 / 5.27		
DD36FA	13000	443 12.9 / 1.41	480 13.3 / 2.03	515 14.5 / 2.65	550 16.1 / 3.29	585 17.1 / 3.97	621 18.9 / 4.70	657 21 / 5.46	693 23 / 6.26		
DD36FA	15000	511 16.1 / 2.17	544 17.9 / 2.89	574 18.3 / 3.59	604 19.5 / 4.31	634 21 / 5.06	665 22 / 5.84	696 23 / 6.66			
DD36FA	17000	579 20 / 3.16	609 22 / 3.98	636 22 / 4.77	662 23 / 5.58	689 24 / 6.40					
DD36FA	19000	647 24 / 4.41	674 26 / 5.33	699 27 / 6.22							

DR-HFA Direct Drive

Centrifugal Downblast Exhaust Fans



Features & Benefits

- Spun aluminum housing for dust-free, weather resistant durability
- Standard bird screen
- Non-overloading backward inclined wheels, blades and inlets fabricated from 3003-H14 aluminum
- All sizes can be wall mounted
- Wire conduit to provide a clear channel for electrical connections
- Disconnect switch
- Variable speed control

Options

- Gravity Damper
- Motorized Damper
- Wall Mount Sleeve
- Roof Curbs
- ECM Motor Option for Models 35, 50 and 85

Certifications



CaptiveAire® certifies that Models DR10HFA thru DR85HFA shown herein are licensed to bear the AMCA seal. The ratings shown are based on tests & procedures performed in accordance with AMCA Publication 211 and Publication 311, and comply with the requirements of the AMCA Certified Ratings Program.



Models DR10HFA thru DR85HFA are ETL Listed and comply with UL 705 (electrical) Standards and CSA Std. C22.2, No. 113.

Measurements

MODEL	HT	W	B	C	D	E	R	RO	Weight (lbs)
DR10HFA	14 1/2	20 3/4	2	19	17 1/2	12	8 1/8	13	30
DR12HFA	16 1/4	23 3/4	2	19	17 1/2	12	10 5/8	13	35
DR30HFA	19 1/8	26 1/4	2	21	19 1/2	12	12 1/8	16	45
DR33HFA	19 1/8	26 1/4	2	21	19 1/2	12	12 1/8	16	45
DR50HFA	21 3/4	29 3/4	2	21	19 1/2	12	13 1/4	16	50
DR85HFA	23 3/8	33 1/4	2	24 3/4	23	12	14 7/8	20	60
DR180HFA	32 3/4	38 15/16	2	28	26 1/2	12	16 1/2	24	190
DR200HFA	32 1/4	38 15/16	2	28	26 1/2	12	18	24	195
DR240HFA	37 1/4	43 7/16	2	33	31 1/2	12	23 7/8	28	215
DR300HFA	40	52 13/16	2	40	38 1/2	12	24	36	380
DR360HFA	45 9/16	63 5/16	2	44	42 1/2	12	25 1/4	40	470

DR-HFA Performance

BHP (Brake Horsepower): The actual power developed by a motor as measured by the force applied to a shaft or flywheel.

Performance		0.00"sp	0.125"sp	0.25"sp	0.375"sp	0.50"sp	0.625" sp	0.75" sp	0.875" sp	1.00" sp	1.125" sp	1.25" sp	1.375" sp	1.50" sp	1.625" sp
MODEL	CFM	RPM Sone/BHP	RPM Sone/BHP	RPM Sone/BHP	RPM Sone/BHP	RPM Sone/BHP	RPM Sone/BHP	RPM Sone/BHP	RPM Sone/BHP	RPM Sone/BHP	RPM Sone/BHP	RPM Sone/BHP	RPM Sone/BHP	RPM Sone/BHP	RPM Sone/BHP
DR10HFA	250	786 1.5 / 0.01	1008 2.4 / 0.02	1196 3.7 / 0.03	1374 5.3 / 0.05	1534 6.8 / 0.07	1678 7.7 / 0.09								
DR10HFA	300	943 2.6 / 0.02	1132 3.5 / 0.03	1299 4.8 / 0.04	1456 6.3 / 0.06	1604 7.4 / 0.08	1734 8.2 / 0.10								
DR10HFA	350	1097 3.8 / 0.03	1268 4.9 / 0.04	1417 6.2 / 0.06	1556 7.3 / 0.07	1683 8.1 / 0.09									
DR10HFA	400	1254 5.4 / 0.04	1408 6.5 / 0.06	1538 7.5 / 0.07	1667 8.3 / 0.09	1786 9.0 / 0.11									
DR10HFA	450	1411 7.1 / 0.06	1546 8.0 / 0.07	1673 8.6 / 0.09	1786 9.3 / 0.11										
DR10HFA	500	1567 8.7 / 0.08	1695 9.3 / 0.10												
DR10HFA	550	1724 10.1 / 0.10													
DR12HFA	400	639 1.7 / 0.01	839 2.9 / 0.03	1000 4.1 / 0.04	1143 5.5 / 0.07	1266 6.9 / 0.09	1384 8.3 / 0.12	1493 9.7 / 0.15	1594 10.8 / 0.18	1688 11.8 / 0.21	1778 12.8 / 0.25				
DR12HFA	500	797 3.1 / 0.02	965 4.2 / 0.04	1109 5.2 / 0.06	1238 6.6 / 0.08	1351 7.9 / 0.11	1458 9.3 / 0.14	1562 10.4 / 0.17	1656 11.4 / 0.20	1748 12.4 / 0.24					
DR12HFA	600	957 4.5 / 0.04	1101 5.6 / 0.06	1230 6.8 / 0.08	1345 7.9 / 0.11	1449 9.2 / 0.14	1550 10.3 / 0.17	1644 11.4 / 0.20	1734 12.4 / 0.24						
DR12HFA	700	1115 6.3 / 0.06	1241 7.4 / 0.09	1357 8.6 / 0.11	1461 9.7 / 0.14	1559 10.5 / 0.17	1655 11.4 / 0.20	1741 12.3 / 0.23							
DR12HFA	800	1274 8.2 / 0.09	1384 9.4 / 0.12	1490 10.7 / 0.15	1587 11.5 / 0.18	1677 12.2 / 0.21	1766 12.8 / 0.25								
DR12HFA	900	1433 10.5 / 0.13	1533 11.6 / 0.16	1627 12.4 / 0.19	1718 13.1 / 0.23										
DR12HFA	1000	1592 12.6 / 0.18	1684 13.4 / 0.21	1770 14.2 / 0.25											
DR12HFA	1100	1752 14.6 / 0.24													
DR30HFA	800	926 4.8 / 0.05	1051 6.1 / 0.07	1163 7.3 / 0.09	1258 8.3 / 0.12	1345 9.4 / 0.14	1423 10.5 / 0.17	1495 11.5 / 0.19	1566 12.6 / 0.22						
DR30HFA	900	1042 6.0 / 0.07	1154 7.2 / 0.09	1257 8.3 / 0.12	1349 9.4 / 0.14	1431 10.6 / 0.17	1508 11.7 / 0.20	1579 12.8 / 0.23							
DR30HFA	1000	1157 7.2 / 0.09	1259 8.3 / 0.12	1355 9.5 / 0.14	1443 10.7 / 0.17	1522 11.9 / 0.20	1595 13.0 / 0.24								
DR30HFA	1100	1273 8.5 / 0.12	1366 9.7 / 0.15	1455 10.9 / 0.18	1538 12.2 / 0.21	1615 13.3 / 0.24									
DR30HFA	1200	1389 10.0 / 0.16	1474 11.2 / 0.19	1556 12.4 / 0.22											
DR30HFA	1300	1505 11.6 / 0.20	1583 12.8 / 0.23												
DR30HFA	1400	1618 13.4 / 0.25													
DR33HFA	400	488 0.9 / 0.01	696 2.6 / 0.02	844 4.1 / 0.04	964 5.5 / 0.06	1072 6.6 / 0.08	1170 7.8 / 0.11	1262 8.9 / 0.14	1347 10.1 / 0.17	1429 11.3 / 0.20	1504 12.4 / 0.23	1581 13.7 / 0.27	1653 14.9 / 0.31		
DR33HFA	500	609 1.9 / 0.02	786 3.5 / 0.03	926 5.1 / 0.05	1042 6.3 / 0.08	1142 7.4 / 0.10	1235 8.6 / 0.13	1319 9.7 / 0.16	1401 10.9 / 0.19	1475 12.0 / 0.22	1548 13.1 / 0.26	1618 14.3 / 0.29	1689 15.6 / 0.33		
DR33HFA	600	731 3.0 / 0.03	882 4.5 / 0.05	1014 6.0 / 0.07	1124 7.2 / 0.10	1220 8.4 / 0.12	1307 9.5 / 0.15	1389 10.7 / 0.18	1467 11.9 / 0.22	1538 13.0 / 0.25	1609 14.2 / 0.29	1676 15.3 / 0.32			
DR33HFA	700	853 4.2 / 0.04	983 5.7 / 0.07	1106 7.0 / 0.09	1211 8.3 / 0.12	1304 9.5 / 0.15	1389 10.7 / 0.18	1468 11.9 / 0.22	1538 13.0 / 0.25	1609 14.2 / 0.29	1675 15.3 / 0.32				
DR33HFA	800	974 5.6 / 0.06	1088 6.8 / 0.09	1201 8.2 / 0.12	1301 9.5 / 0.15	1391 10.7 / 0.19	1473 12.0 / 0.22	1547 13.1 / 0.26	1619 14.3 / 0.29	1688 15.5 / 0.33					
DR33HFA	900	1095 6.9 / 0.09	1197 8.1 / 0.12	1299 9.4 / 0.15	1393 10.8 / 0.19	1480 12.1 / 0.22	1560 13.3 / 0.26	1633 14.5 / 0.30							
DR33HFA	1000	1217 8.4 / 0.12	1307 9.5 / 0.15	1401 10.9 / 0.19	1490 12.3 / 0.23	1572 13.5 / 0.27	1650 14.9 / 0.31								
DR33HFA	1100	1338 10.0 / 0.17	1421 11.2 / 0.20	1505 12.4 / 0.23	1590 13.8 / 0.28	1690 15.1 / 0.32									
DR33HFA	1200	1460 11.8 / 0.21	1535 12.9 / 0.25	1613 14.2 / 0.29	1690 15.6 / 0.33										
DR33HFA	1300	1582 13.7 / 0.27	1650 14.9 / 0.31												
DR50HFA	600	401 0.8 / 0.01	580 2.5 / 0.02	710 3.9 / 0.04	820 5.2 / 0.06	916 6.4 / 0.09	1005 7.4 / 0.12	1085 8.5 / 0.15	1161 9.6 / 0.18						
DR50HFA	800	533 2.0 / 0.02	682 3.6 / 0.04	798 5.0 / 0.06	897 6.1 / 0.08	985 7.2 / 0.11	1067 8.2 / 0.14	1143 9.3 / 0.17	1214 10.4 / 0.21	1282 11.6 / 0.25	1347 12.7 / 0.28	1408 13.8 / 0.33	1468 14.9 / 0.37	1524 16.0 / 0.41	
DR50HFA	1000	666 3.4 / 0.03	792 4.9 / 0.06	895 6.1 / 0.08	986 7.2 / 0.11	1068 8.2 / 0.14	1144 9.3 / 0.17	1214 10.4 / 0.21	1282 11.6 / 0.25	1346 12.7 / 0.28	1406 13.7 / 0.32	1464 14.9 / 0.37	1522 16.0 / 0.41	1575 17.0 / 0.46	1629 18.0 / 0.50
DR50HFA	1200	798 5.0 / 0.06	907 6.3 / 0.09	1001 7.3 / 0.12	1084 8.5 / 0.15	1161 9.6 / 0.18	1231 10.7 / 0.22	1297 11.8 / 0.25	1361 12.9 / 0.29	1420 14.0 / 0.33	1478 15.1 / 0.38	1533 16.2 / 0.42	1587 17.2 / 0.47		
DR50HFA	1400	931 6.5 / 0.09	1026 7.6 / 0.13	1112 8.9 / 0.16	1188 10.1 / 0.20	1259 11.2 / 0.23	1325 12.3 / 0.27	1388 13.4 / 0.31	1448 14.5 / 0.35	1504 15.6 / 0.40	1559 16.7 / 0.44	1611 17.7 / 0.49			
DR50HFA	1600	1064 8.2 / 0.14	1149 9.4 / 0.18	1226 10.6 / 0.21	1298 11.9 / 0.25	1364 13.0 / 0.30	1426 14.1 / 0.34	1484 15.3 / 0.38	1541 16.3 / 0.43	1595 17.4 / 0.47					

DR-HFA Performance

BHP (Brake Horsepower): The actual power developed by a motor as measured by the force applied to a shaft or flywheel.

Performance		0.00"sp	0.125"sp	0.25"sp	0.375"sp	0.50"sp	0.625" sp	0.75" sp	0.875" sp	1.00" sp	1.25" sp	1.50" sp	1.75" sp	2.00" sp	2.25" sp	2.50" sp
MODEL	CFM	RPM Sone/BHP	RPM Sone/BHP	RPM Sone/BHP	RPM Sone/BHP	RPM Sone/BHP	RPM Sone/BHP	RPM Sone/BHP	RPM Sone/BHP	RPM Sone/BHP	RPM Sone/BHP	RPM Sone/BHP	RPM Sone/BHP	RPM Sone/BHP	RPM Sone/BHP	RPM Sone/BHP
DR50HFA	1800	1197 10.2 / 0.20	1273 11.4 / 0.24	1344 12.6 / 0.28	1410 13.8 / 0.33	1472 15.0 / 0.37	1531 16.1 / 0.42	1586 17.2 / 0.46								
DR50HFA	2000	1330 12.4 / 0.27	1399 13.6 / 0.32	1464 14.9 / 0.37	1526 16.0 / 0.41	1584 17.2 / 0.46										
DR50HFA	2200	1463 14.8 / 0.36	1524 16.0 / 0.41	1586 17.2 / 0.46												
DR50HFA	2400	1596 17.4 / 0.47														
DR85HFA	900	424 1.8 / 0.01	681 5.0 / 0.06	856 7.5 / 0.11	1000 9.5 / 0.18	1125 11.6 / 0.26	1236 13.7 / 0.35	1339 15.9 / 0.44	1431 17.9 / 0.54	1518 19.8 / 0.64	1599 22 / 0.75					
DR85HFA	1100	517 2.8 / 0.03	747 6.0 / 0.08	911 8.3 / 0.14	1047 10.2 / 0.21	1168 12.4 / 0.29	1278 14.6 / 0.38	1378 16.7 / 0.48	1471 18.7 / 0.58	1558 21 / 0.69						
DR85HFA	1300	611 4.0 / 0.04	819 7.0 / 0.10	972 9.1 / 0.17	1101 11.2 / 0.24	1216 13.4 / 0.33	1322 15.5 / 0.42	1419 17.6 / 0.52	1512 19.6 / 0.63	1597 22 / 0.74						
DR85HFA	1500	705 5.3 / 0.06	893 8.0 / 0.13	1038 10.0 / 0.20	1161 12.2 / 0.29	1271 14.4 / 0.38	1372 16.6 / 0.47	1466 18.6 / 0.58	1556 21 / 0.69							
DR85HFA	1700	798 6.7 / 0.09	970 9.1 / 0.17	1107 11.3 / 0.25	1226 13.5 / 0.34	1330 15.7 / 0.43	1427 17.8 / 0.53	1519 19.8 / 0.64	1604 22 / 0.75							
DR85HFA	1900	892 8.0 / 0.13	1049 10.2 / 0.21	1180 12.6 / 0.30	1293 14.9 / 0.39	1394 17.1 / 0.50	1488 19.1 / 0.60	1575 21 / 0.71								
DR85HFA	2100	986 9.3 / 0.18	1130 11.7 / 0.26	1254 14.1 / 0.36	1363 16.4 / 0.46	1460 18.5 / 0.57	1551 21 / 0.68									
DR85HFA	2300	1080 10.8 / 0.23	1212 13.3 / 0.33	1331 15.7 / 0.43	1436 18.0 / 0.54	1529 20 / 0.65										
DR85HFA	2500	1174 12.5 / 0.30	1297 14.9 / 0.40	1409 17.4 / 0.51	1510 19.6 / 0.63	1601 22 / 0.75										
DR85HFA	2700	1268 14.4 / 0.37	1382 16.8 / 0.48	1488 19.1 / 0.60	1585 21 / 0.73											
DR85HFA	2900	1362 16.4 / 0.46	1468 18.6 / 0.58	1569 21 / 0.71												
DR85HFA	3100	1455 18.4 / 0.56	1555 21 / 0.69													
DR85HFA	3300	1549 21 / 0.68														
DR180HFA	2400	612 6.2 / 0.15		709 8.1 / 0.27		793 9.3 / 0.39		877 10.4 / 0.52		962 11.7 / 0.68	1049 12.0 / 0.85	1137 13.8 / 1.06				
DR180HFA	2800	714 9.3 / 0.24		800 10.6 / 0.37		874 11.2 / 0.51		945 12.0 / 0.66		1017 12.0 / 0.82	1089 12.8 / 0.99	1163 14.3 / 1.18	1238 15.6 / 1.40	1315 17.0 / 1.64		
DR180HFA	3200	816 11.9 / 0.36		893 12.7 / 0.51		960 13.4 / 0.67		1023 13.1 / 0.83		1085 12.7 / 1.00	1147 14.0 / 1.18	1211 15.8 / 1.37	1275 16.5 / 1.58	1340 17.5 / 1.80		
DR180HFA	3600	918 14.1 / 0.52		988 14.7 / 0.68		1049 14.6 / 0.86		1106 14.8 / 1.04		1162 16.2 / 1.22	1217 17.4 / 1.41	1273 17.8 / 1.61	1329 18.3 / 1.82	1386 19.0 / 2.05		
DR180HFA	4000	1020 15.1 / 0.71		1084 16.5 / 0.89		1140 17.1 / 1.08		1193 18.6 / 1.28		1244 19.2 / 1.48	1294 19.6 / 1.69	1344 20 / 1.90	1394 20 / 2.12			
DR180HFA	4400	1122 17.6 / 0.94		1181 19.5 / 1.14		1233 21 / 1.35		1282 21 / 1.57		1330 22 / 1.79	1376 22 / 2.01					
DR180HFA	4800	1224 21 / 1.22		1278 22 / 1.43		1328 23 / 1.66		1374 24 / 1.90								
DR180HFA	5200	1326 24 / 1.55		1376 25 / 1.78												
DR200HFA	3000	523 5.6 / 0.14		614 6.8 / 0.27		707 8.4 / 0.43		796 8.8 / 0.59		883 10.9 / 0.78						
DR200HFA	3500	610 7.8 / 0.23		687 9.0 / 0.38		768 10.4 / 0.55		846 10.0 / 0.73		922 11.9 / 0.92	997 13.7 / 1.14	1071 14.9 / 1.37				
DR200HFA	4000	697 10.4 / 0.34		764 11.6 / 0.51		834 11.6 / 0.69		904 13.7 / 0.89		972 13.2 / 1.11	1039 15.2 / 1.33	1105 15.8 / 1.57	1170 17.0 / 1.82	1234 19.1 / 2.08		
DR200HFA	4500	784 12.4 / 0.49		843 13.0 / 0.67		905 14.8 / 0.87		968 15.8 / 1.09		1029 17.0 / 1.32	1090 17.1 / 1.56	1149 17.4 / 1.81	1208 18.8 / 2.07	1267 20 / 2.34	1324 22 / 2.63	1381 25 / 2.93
DR200HFA	5000	872 14.7 / 0.67		924 16.2 / 0.87		979 17.6 / 1.09		1036 18.2 / 1.33		1092 18.7 / 1.57	1147 19.3 / 1.83	1202 20 / 2.09	1255 22 / 2.36	1309 23 / 2.65	1361 25 / 2.94	
DR200HFA	5500	959 17.4 / 0.89		1006 18.9 / 1.11		1056 19.3 / 1.35		1107 19.9 / 1.60		1158 21 / 1.86	1209 22 / 2.14	1259 24 / 2.42	1309 25 / 2.71	1358 27 / 3.00		
DR200HFA	6000	1046 21 / 1.15		1089 21 / 1.39		1134 21 / 1.65		1181 23 / 1.92		1228 24 / 2.20	1275 26 / 2.49	1321 28 / 2.79				
DR200HFA	6500	1133 23 / 1.46		1172 24 / 1.72		1214 25 / 1.99		1257 27 / 2.28		1300 28 / 2.58	1344 30 / 2.89					
DR200HFA	7000	1220 27 / 1.82		1256 28 / 2.10		1295 29 / 2.40		1334 31 / 2.70								
DR200HFA	7500	1307 32 / 2.25		1341 33 / 2.54		1376 34 / 2.85										
DR200HFA	8000	1394 38 / 2.73														

Performance shown is for installation Type A; Free Inlet, Free Outlet. Power Rating (BHP) does not include Drive Losses. Performance Ratings do not include the effects of appurtenances in the air stream. The Sound Ratings shown are loudness values in fan sones at 5 ft. (1.5m) in a hemispherical free field calculated per AMCA Standards 301. Values shown are for installation Type A; Free inlet fan sone levels. The AMCA Certified Ratings Sound Seal applies to Sone Ratings only.

DR-HFA Performance

BHP (Brake Horsepower): The actual power developed by a motor as measured by the force applied to a shaft or flywheel.

Performance		0.00"sp	0.25"sp	0.50"sp	0.75" sp	1.00" sp	1.25" sp	1.50" sp	1.75" sp	2.00" sp	2.25" sp	2.50" sp
MODEL	CFM	RPM Sone/BHP	RPM Sone/BHP	RPM Sone/BHP	RPM Sone/BHP	RPM Sone/BHP	RPM Sone/BHP	RPM Sone/BHP	RPM Sone/BHP	RPM Sone/BHP	RPM Sone/BHP	RPM Sone/BHP
DR240HFA	5000	527 9.5 / 0.34	597 11.1 / 0.56	670 13.2 / 0.82	739 15.4 / 1.10	805 15.9 / 1.40	868 16.9 / 1.72	930 18.2 / 2.06	990 20 / 2.43	1049 23 / 2.81	1107 25 / 3.22	1163 27 / 3.64
DR240HFA	6000	633 13.3 / 0.59	690 14.7 / 0.85	751 17.1 / 1.14	811 17.6 / 1.46	869 18.0 / 1.79	924 18.0 / 2.14	978 19.9 / 2.51	1031 22 / 2.89	1083 24 / 3.29	1134 26 / 3.71	1184 27 / 4.16
DR240HFA	7000	738 17.4 / 0.93	786 18.8 / 1.23	838 18.8 / 1.56	891 18.9 / 1.92	942 20 / 2.29	992 21 / 2.67	1040 23 / 3.07	1088 26 / 3.48	1134 27 / 3.91	1179 28 / 4.35	
DR240HFA	8000	844 19.6 / 1.39	885 20 / 1.72	930 21 / 2.09	976 23 / 2.48	1022 24 / 2.90	1067 26 / 3.32	1111 28 / 3.76	1154 29 / 4.20	1196 30 / 4.66		
DR240HFA	9000	949 22 / 1.98	986 24 / 2.35	1025 25 / 2.75	1065 28 / 3.18	1106 30 / 3.63	1147 31 / 4.09	1187 32 / 4.57				
DR240HFA	10000	1055 27 / 2.71	1087 30 / 3.12	1122 30 / 3.56	1158 31 / 4.02	1194 33 / 4.51						
DR240HFA	11000	1160 33 / 3.61	1189 33 / 4.05									
DR300HFA	7500	457 9.4 / 0.67	504 10.6 / 1.01	547 11.0 / 1.34	592 11.0 / 1.71	639 12.0 / 2.12	683 13.3 / 2.55	724 14.5 / 2.98	761 15.5 / 3.41	797 16.4 / 3.85	831 17.4 / 4.30	
DR300HFA	8500	518 12.2 / 0.97	561 12.8 / 1.37	598 12.5 / 1.73	636 12.6 / 2.12	677 14.1 / 2.55	718 14.3 / 3.02	758 15.4 / 3.50	795 16.3 / 3.99	830 17.6 / 4.48	863 18.3 / 4.97	895 19.3 / 5.47
DR300HFA	9500	579 13.3 / 1.36	618 14.8 / 1.81	652 14.3 / 2.21	685 15.3 / 2.63	720 15.6 / 3.08	757 17.0 / 3.57	794 16.3 / 4.08	830 18.6 / 4.62	864 19.3 / 5.16	897 20 / 5.71	
DR300HFA	10500	640 15.5 / 1.83	676 16.8 / 2.34	707 17.2 / 2.79	737 16.8 / 3.24	768 17.7 / 3.71	800 18.4 / 4.22	833 19.8 / 4.76	866 21 / 5.32	899 21 / 5.91		
DR300HFA	11500	700 17.6 / 2.41	735 18.7 / 2.97	763 19.8 / 3.46	791 18.3 / 3.96	818 21 / 4.46	847 21 / 4.99	876 22 / 5.54				
DR300HFA	12500	761 19.7 / 3.09	794 21 / 3.71	820 23 / 4.26	846 23 / 4.79	871 23 / 5.33	896 24 / 5.88					
DR300HFA	13500	822 24 / 3.89	853 25 / 4.57	878 25 / 5.17								
DR300HFA	14500	883 27 / 4.83										
DR360HFA	9000	307 6.2 / 0.47	359 7.6 / 0.90	409 9.0 / 1.36	461 10.5 / 1.88	513 13.0 / 2.46	563 15.7 / 3.09					
DR360HFA	13000	443 12.9 / 1.41	480 13.3 / 2.03	515 14.5 / 2.65	550 16.1 / 3.29	585 17.1 / 3.97	621 18.9 / 4.70	657 21 / 5.46	693 23 / 6.26	729 25 / 7.11	764 27 / 7.99	799 28 / 8.91
DR360HFA	17000	579 20 / 3.16	609 22 / 3.98	636 22 / 4.77	662 23 / 5.58	689 24 / 6.40	715 26 / 7.25	742 27 / 8.12	769 28 / 9.03	796 29 / 9.97		
DR360HFA	21000	715 29 / 5.95	740 30 / 6.97	763 31 / 7.96	784 31 / 8.95							

Performance shown is for installation Type A; Free Inlet, Free Outlet. Power Rating (BHP) does not include Drive Losses. Performance Ratings do not include the effects of appurtenances in the air stream. The Sound Ratings shown are loudness values in fan sones at 5 ft. (1.5m) in a hemispherical free field calculated per AMCA Standards 301. Values shown are for installation Type A; Free inlet fan sone levels. The AMCA Certified Ratings Sound Seal applies to Sone Ratings only.