



JOB: _____

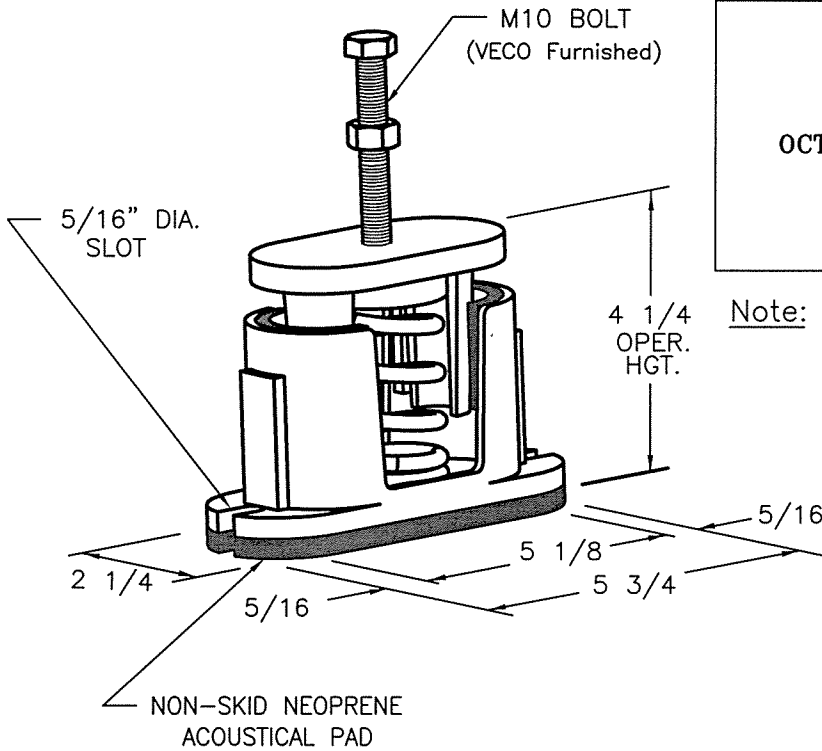
CONTRACTOR: _____

P.O. NO. _____

2-25-2010

TYPE "OCT" HOUSED SPRING ISOLATOR

ISOLATOR TYPE	COLOR CODE	RATED LOAD	RATED DEFL.	
OCT	F21	Yellow	40 #	1.0"
	F20A	Silver	70 #	1.0"
	F22	Red	100 #	1.0"
	F23	White	150 #	1.0"
	F24	Green	210 #	1.0"
	F25	Blue	300 #	1.0"
	F26	Orange	400 #	1.0"
F27	Brown	500 #	1.0"	



Note: All hardware zinc-electroplated.

ISOLATOR WT. = 4#

OCT.DWG

VIBRATION ELIMINATOR CO. INC.

15 Dixon Avenue

Copiapue, NY 11726

TEL. (631) 841-4000 FAX (631) 841-0020

Rev.		
Rev.		
Date:	Dwg. No.:	